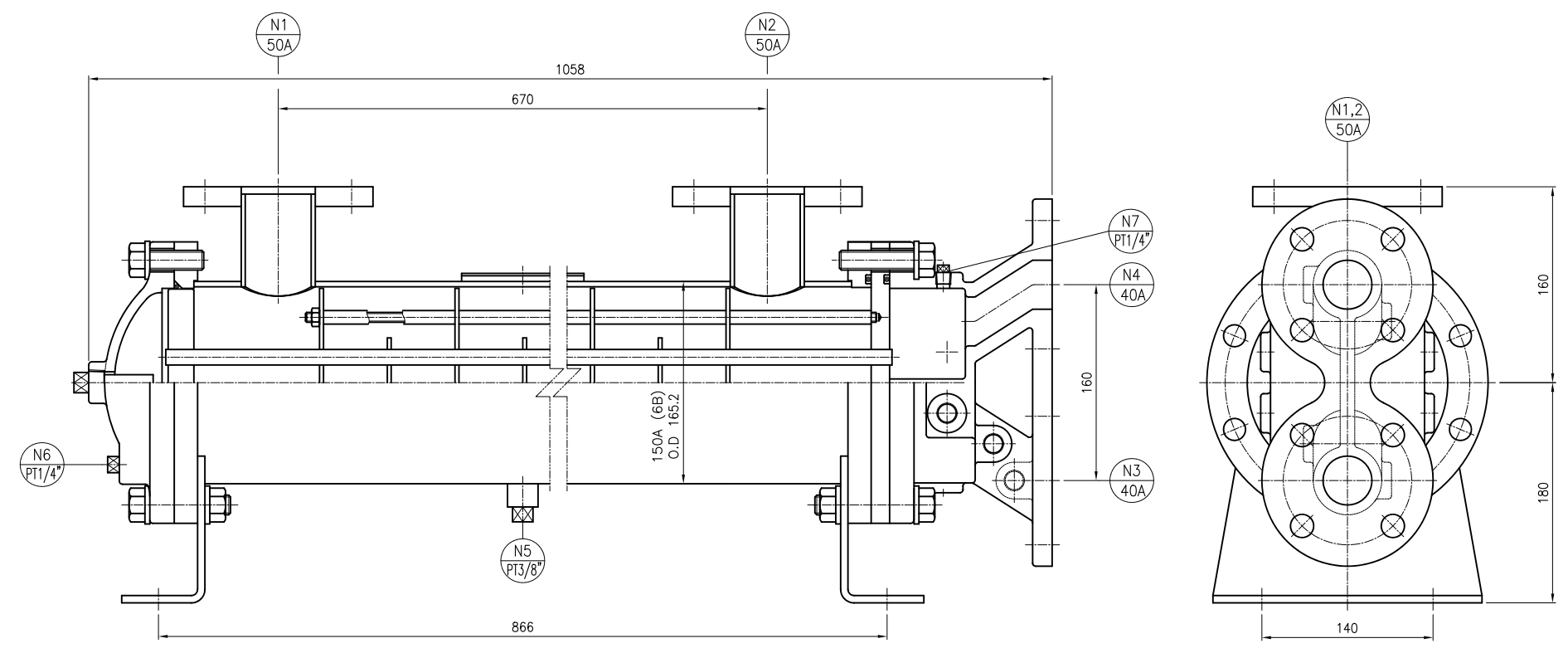


1 2 3 4 5 6 7 8

A
B
C
D
E
F



NOZZLE LIST									
MARK NO.	NO. REQ'D	PIPE			FLANGE				DESIGNATION
		SIZE	SCH	MAT'L	RATING	TYPE	FACING	MAT'L	
N1	1	50A	-	SPP	KS 10K	SOP	FF	SS400(SS275)	OIL INLET
N2	1	50A	-	SPP	KS 10K	SOP	FF	SS400(SS275)	OIL OUTLET
N3	1	40A	-	-	KS 10K	-	FF	FC200	WATER INLET
N4	1	40A	-	-	KS 10K	-	FF	FC200	WATER OUTLET
N5	1	PT3/8"	-	-	WITH PLUG	-	-	A105	DRAIN
N6	1	PT1/4"	-	-	WITH PLUG	-	-	FC200	DRAIN
N7	1	PT1/4"	-	-	WITH PLUG	-	-	FC200	VENT

MODEL NO. : LCF-640-F2

REV	DATE	DESCRIPTION	PREP'D	CHK'D	RVD	APP'D

SPICO Corporation.		SCALE	1:5	PROJECTION	
PROJECT : -		SIZE	A3	DIMENSION	mm
TYPE : LCF-640-F2		P/O NO.	STANDARD		
TITLE		OIL COOLER (ASSEMBLY)			
DRAWN		CHECKED	REVIEWED	APPROVED	M/O NO.
DATE		SUPPLIER	DRAWN	CHECKED	REVIEWED
DATE		S.I.PARK	24.01.30		
DWG NO.		SW-0725A		Rev No.	△